

## Replacing the safety catch support

Artikel-Nr.: TP26  
Hersteller: Krömer  
EAN-Code: 0757284116582



**Problem:** Safety catch does not work to 100%.



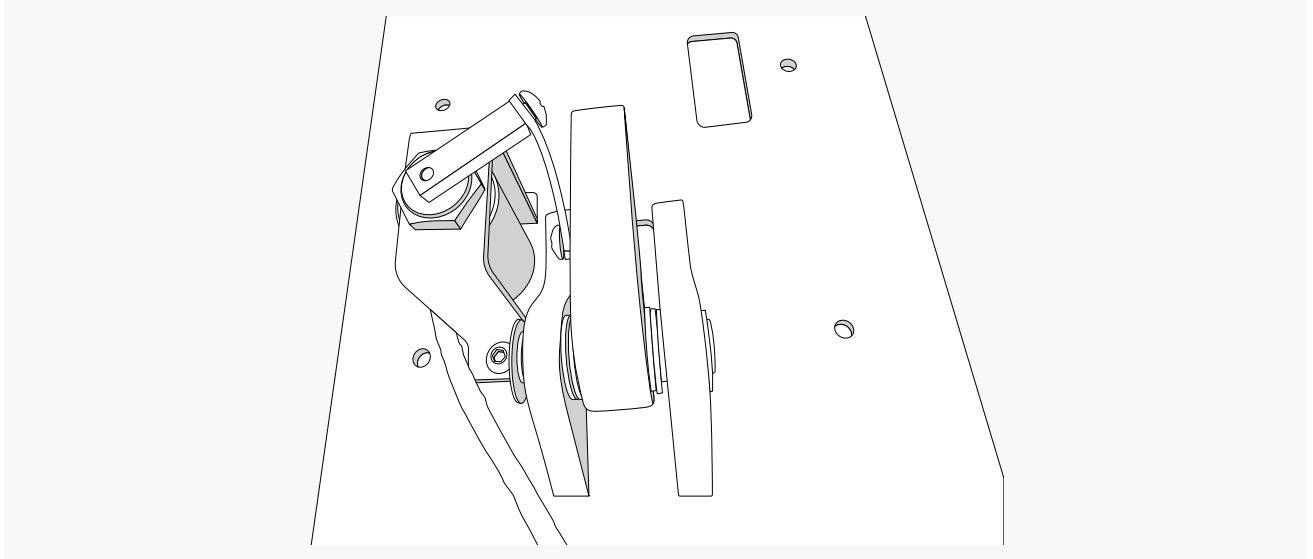
**Cause:** Improper assembly or transport damage.



**Solution:** Replacement of the holding bracket of the electromagnets or the customer's own fixation of the electromagnet.

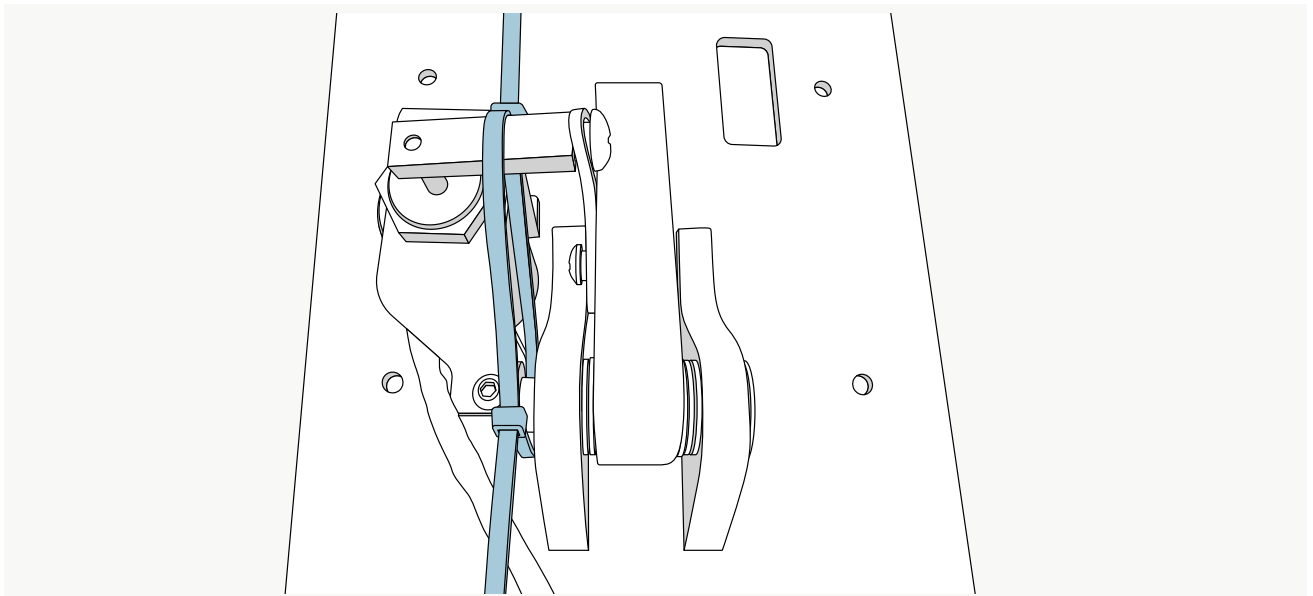
Page 2

**1** Starting situation



The electromagnet of the safety ratchet is not sufficiently secured and therefore the ratchet does not function smoothly.

**2** Solution 1: unprofessional solution

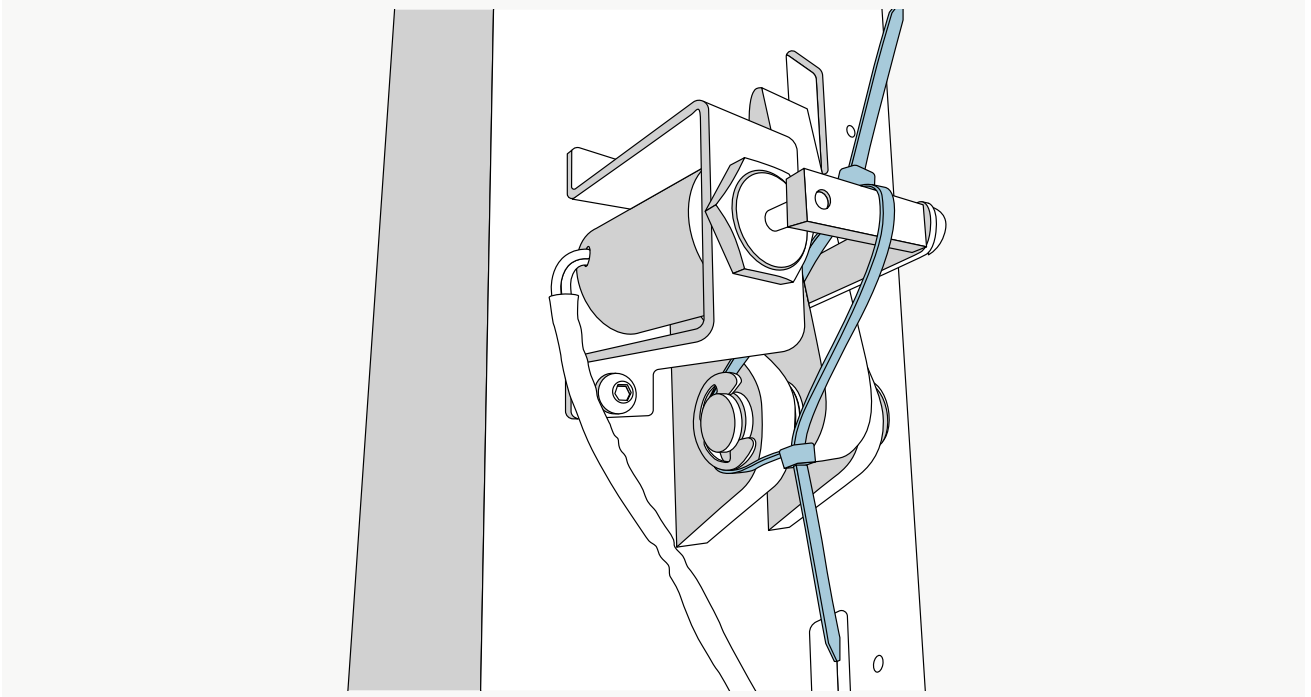


As a temporary solution, the area can be fixed on the side. This allows the platform to continue operating while the replacement part is on the way.

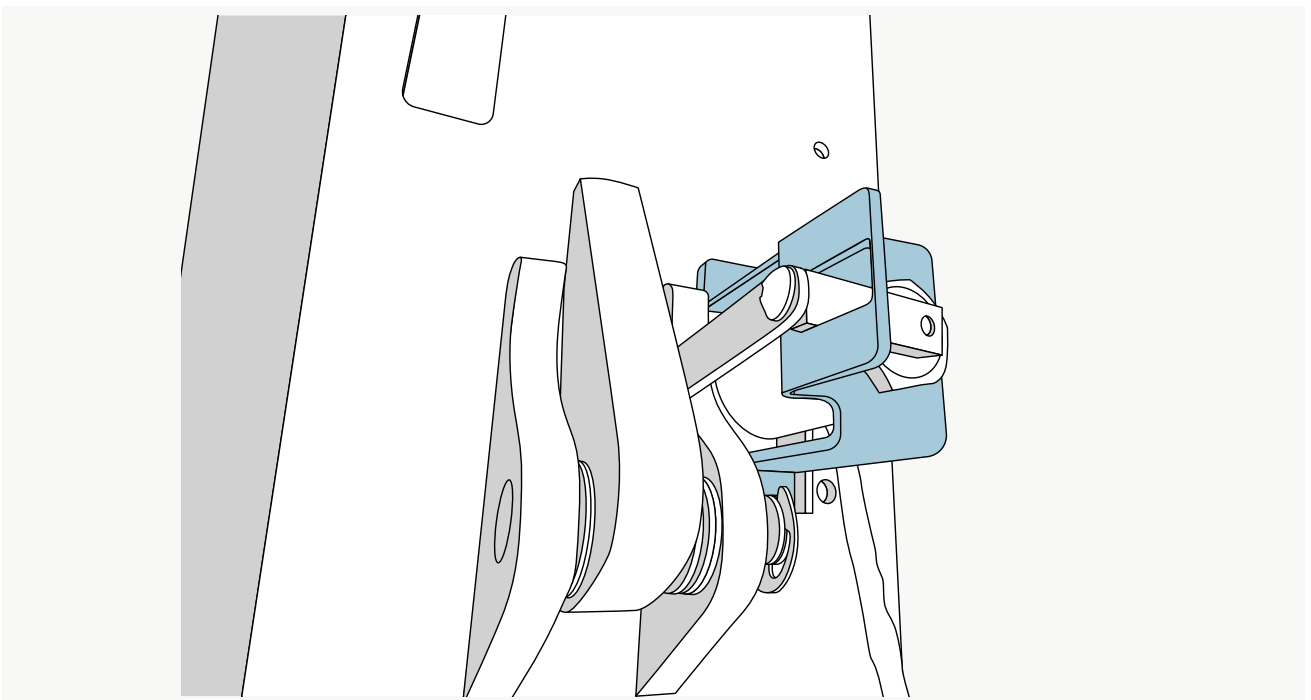
Link to the part:



3 Alternative picture to solution 1:



4 Professional Solution



Replacing the bracket of the 2-post lift with item number II168 in our shop.



After the professional solution, the safety catch works again.